

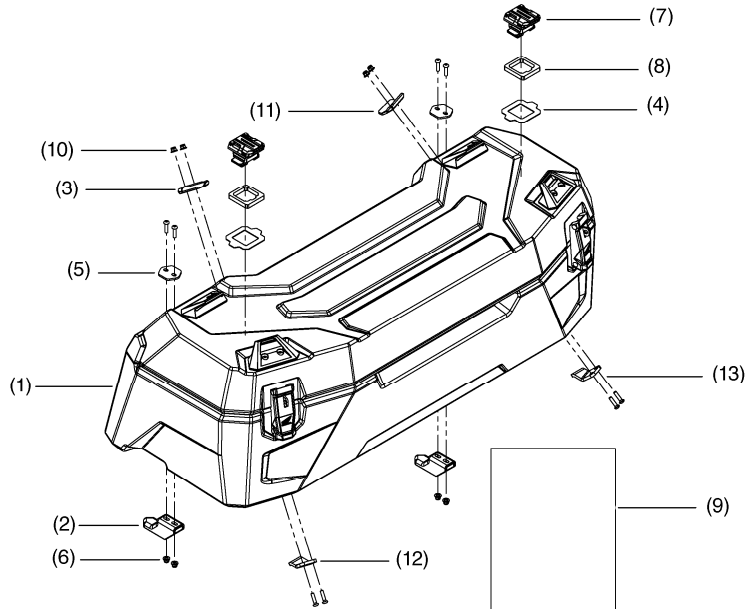


# INSTALLATION INSTRUCTIONS

Accessory	Application	Publication No.
REAR CARGO BOX P/N OSL54-HR6-A01	TRX420 AFTER 2020 TRX520 AFTER 2020	MII 17151
		Issue Date
		February 2021

Honda Dealer: Please give a copy of these instructions to your customer.

## PARTS LIST



No.	Description	Qty
(1)	Rear Cargo Box	1
(2)	Hook	2
(3)	3 x 20 mm Button Head Socket Screw	8
(4)	Snap Ring	2
(5)	Bracket	4
(6)	8 mm Flange Nylon Nut	8
(7)	Honda Pro-Connect™ Latch	2
(8)	Rubber Spacer	2
(9)	Installation Instruction URL	1
(10)	Left Inside Plate	1
(11)	Right Inside Plate	1
(12)	Left Rear Hook	1
(13)	Right Rear Hook	1

**⚠ WARNING:** Overloading this ATV or improperly carrying cargo can affect handling, braking performance and stability and can lead to a crash resulting in **SERIOUS INJURY** or **DEATH**

### NOTE:

- **NEVER** exceed the maximum weight limit printed on the vehicle and in the ATV owner's manual
- **NEVER** exceed the cargo box maximum capacity: 45kg / 100lb
- **ALWAYS** secure cargo carried in the cargo box to prevent shifting.
- **Always** make sure the hooks and Pro-Connect™ latches are properly engaged before riding.
- **Please read and follow all instructions and warning supplied with the cargo box and cargo box mount plate.**

### TOOLS REQUIRED

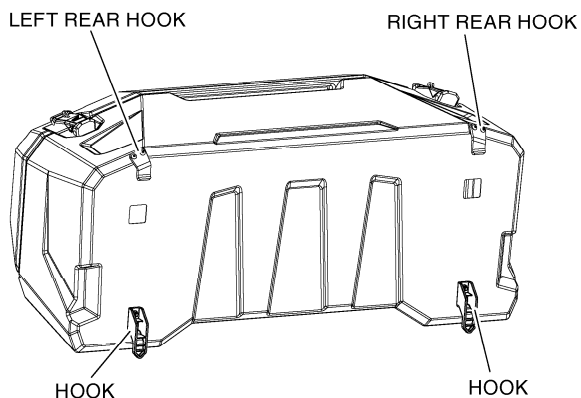
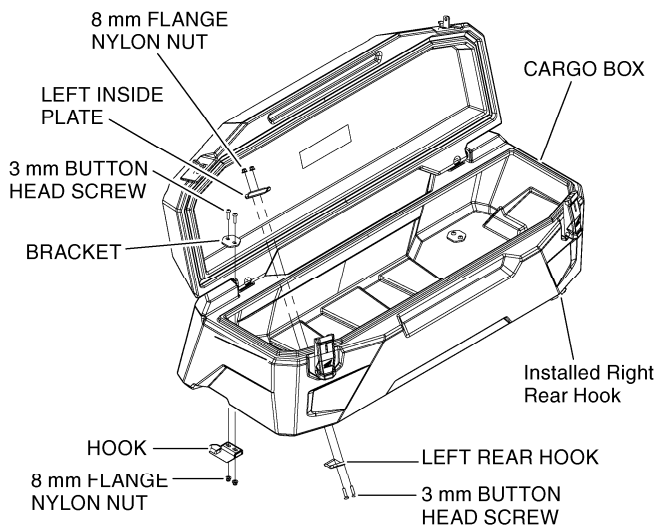
- Ratchet
- Torque wrench
- Hex wrench (3 mm)
- Socket (8 mm)

### TORQUE CHART

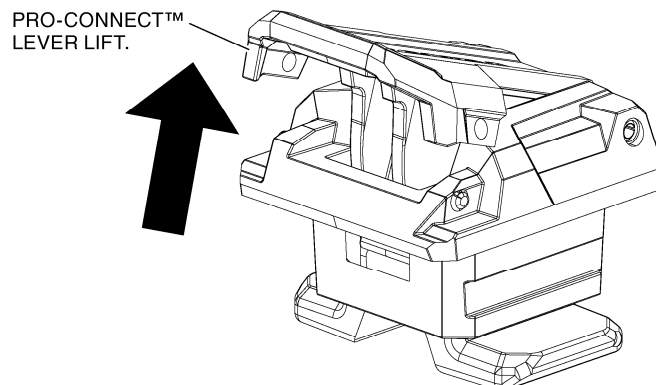
Item	N-m	Kfg.m	lbf.in
3 x 20 mm Button Head Socket Screw	5	0.51	44

## INSTALLATION

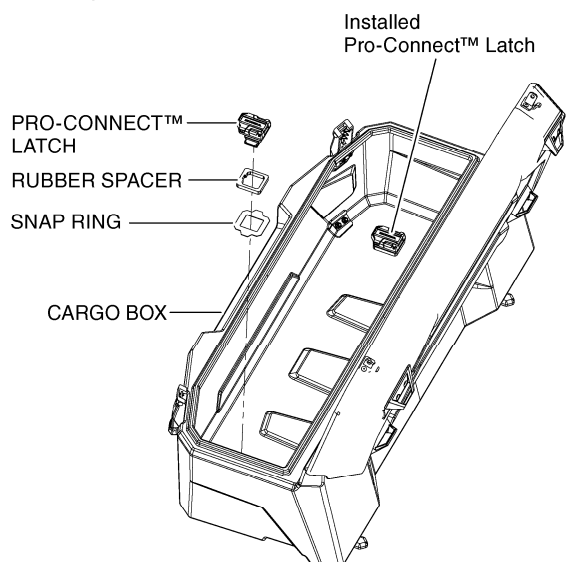
1. Install four hooks from underneath the cargo box using 3 mm button head socket screws, brackets and flange nylon nuts.



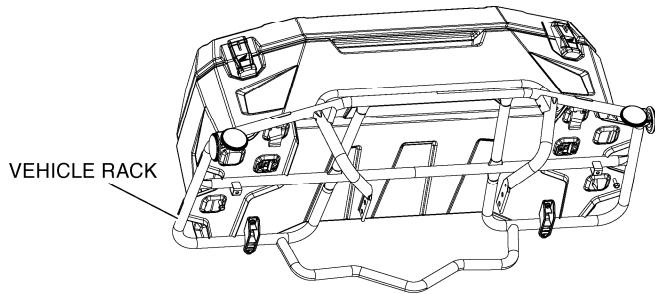
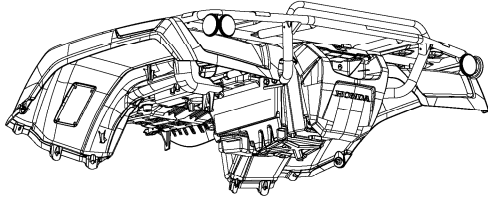
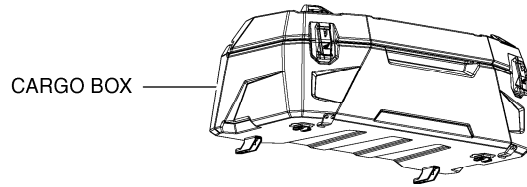
2. Lift the lever on each Pro-Connect™ latch to unlock them and slide the Rubber Spacer around the Pro-Connect™ latch. Insert the Pro-Connect™ latch, spacer and snap ring assembly in the cargo box square hole.



Before and after Pro-Connect™ latch installation on the cargo box are shown in the picture below.



3. Lift the lever on each latch to unlock them. Place the cargo box onto the rear rack of the ATV. Line up each latch with its corresponding hole in the rack then push each latch into its hole. Before and after cargo box installation on the vehicle rack are shown on the pictures below.



4. Secure the cargo box to the vehicle by pressing down each Honda Pro-Connect™ latch lever.

